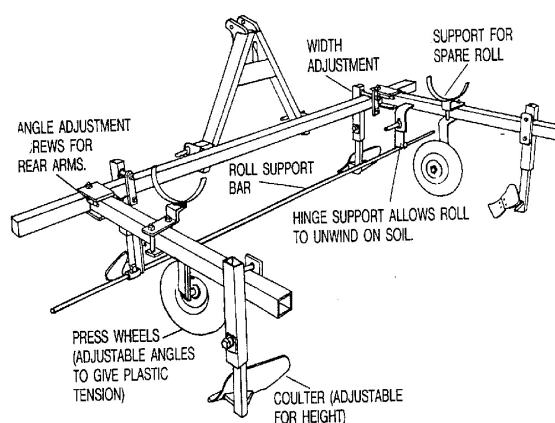


## Plastic Sheet Layer

Designed to lay most types of plastic – black, clear, plain or perforated, it is adjustable in width for 0.5m to 2.5m material. It will operate on raised beds, ridges or on the flat. A positive displacement gives efficient edge burial. The plastic unrolls itself close to the ground, thus minimizing the amount of wind to get under the sheet during the laying operation. This facility enables the machine to be used under adverse conditions. Inbuilt flexibility allows the machine to leave the plastic stretch tight or rippled loose.



### SPECIFICATIONS:

- Working width adjustable from 0.5m to 2.5m
- Works behind most tractors with 3-point linkage